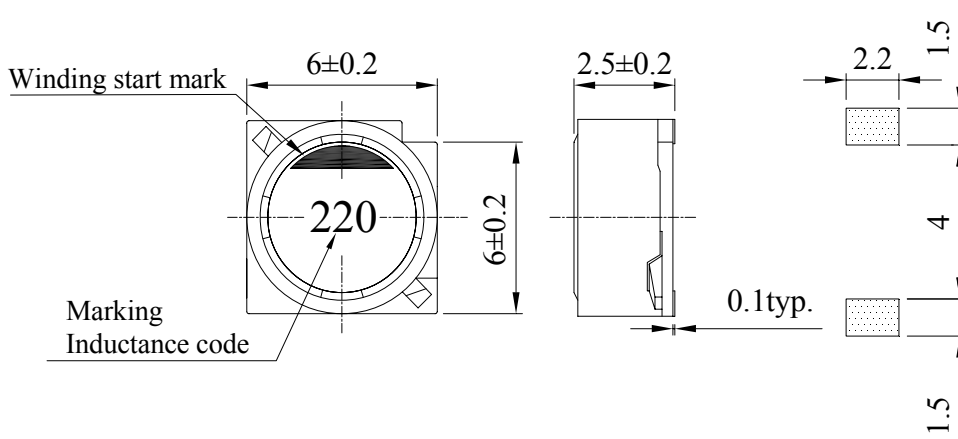


【SDSLF6025-SERIES】

DIMENSIONS & RECOMMENDED PATTERN


Unit: mm
※ FEATURES

- Applications : Portable telephones, personal computers, hard disk drives, and other electronic equipment

SELECTION GUIDE FOR STANDARD COILS

SDE Part Number	Inductance	Tolerance	DC Resistance	Inductance Decrease Current	Temperature Rise Current
	(μH)	(%)	(Ω) $\pm 20\%$	(A) Max	(A) Typ.
SDSLF6025 - 4R7M	4.7	$\pm 20\%$	0.0306	1.50	1.80
SDSLF6025 - 6R8M	6.8	$\pm 20\%$	0.0442	1.30	1.50
SDSLF6025 - 100M	10.0	$\pm 20\%$	0.0573	1.00	1.30
SDSLF6025 - 150M	15.0	$\pm 20\%$	0.0850	0.88	1.10
SDSLF6025 - 220M	22.0	$\pm 20\%$	0.1220	0.73	0.94
SDSLF6025 - 330M	33.0	$\pm 20\%$	0.1800	0.59	0.79
SDSLF6025 - 470M	47.0	$\pm 20\%$	0.2400	0.48	0.67
SDSLF6025 - 680M	68.0	$\pm 20\%$	0.3700	0.42	0.54
SDSLF6025 - 101M	100.0	$\pm 20\%$	0.5000	0.33	0.47

※ Marking : Inductance Code
※ GENERAL SPECIFICATION:

- IDC $\leq 30\%$ drop of initial inductance.
- $\Delta T = 25^\circ\text{C}$ typ. Rise at I_{rms} (at 25°C)
- Operating temperature : $-20^\circ\text{C} \sim +85^\circ\text{C}$
- Test Freq. : 100KHz / 0.5V.