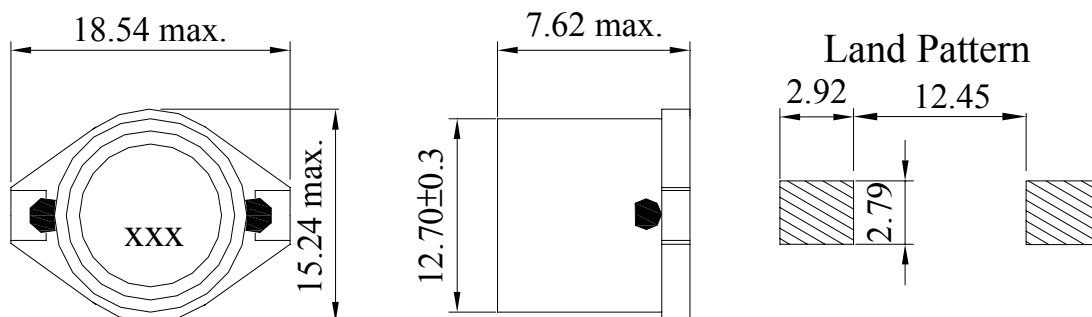


【SDR5022DC-SERIES】

DIMENSIONS & RECOMMENDED PATTERN



Unit: mm

※ FEATURES

- Applications : DC to DC converters for notebook, VGA card, video recorders

SELECTION GUIDE FOR STANDARD COILS

SDE Part Number	Inductance (μH)	Tolerance (%)	DC Resistance (Ω) Max	Inductance Decrease Current (A) Max
SDR5022DC - 100M	10.0	$\pm 20\%$	0.040	8.00
SDR5022DC - 150M	15.0	$\pm 20\%$	0.048	7.00
SDR5022DC - 220M	22.0	$\pm 20\%$	0.059	6.00
SDR5022DC - 330M	33.0	$\pm 20\%$	0.075	5.00
SDR5022DC - 470M	47.0	$\pm 20\%$	0.097	4.00
SDR5022DC - 680M	68.0	$\pm 20\%$	0.138	3.00
SDR5022DC - 101M	100.0	$\pm 20\%$	0.207	2.40
SDR5022DC - 151M	150.0	$\pm 20\%$	0.293	2.10
SDR5022DC - 221M	220.0	$\pm 20\%$	0.470	1.90
SDR5022DC - 331M	330.0	$\pm 20\%$	0.780	1.10
SDR5022DC - 471M	470.0	$\pm 20\%$	1.080	1.10
SDR5022DC - 681M	680.0	$\pm 20\%$	1.400	0.96
SDR5022DC - 102M	1000.0	$\pm 20\%$	2.010	0.80

※ GENERAL SPECIFICATION:

- Inductance drop = 10% typ. at IDC.
- Operating Temp. : $-40^{\circ}\text{C} \sim +85^{\circ}\text{C}$
- Test Freq. : 100KHz / 0.1V.