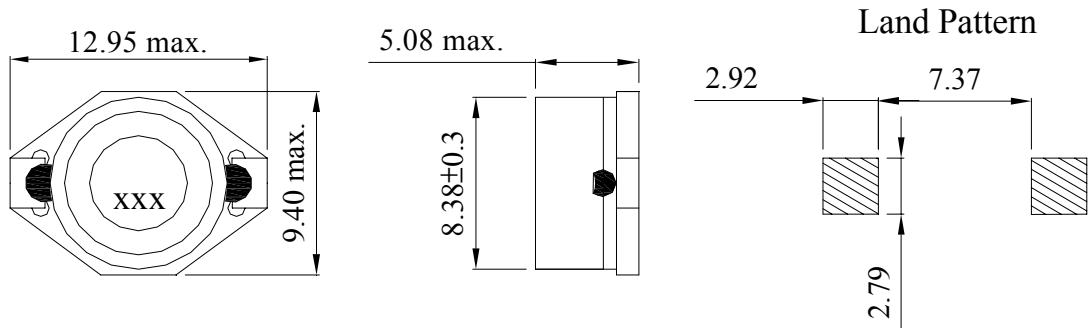


【SDR3316DC-SERIES】

DIMENSIONS & RECOMMENDED PATTERN



Unit: mm

※ FEATURES

- Applications : DC to DC converters for notebook, communication products

SELECTION GUIDE FOR STANDARD COILS

SDE Part Number	Inductance (μH)	Tolerance (%)	DC Resistance (Ω) Max	Inductance Decrease Current (A) Max
SDR3316DC - 1R0M	1.0	± 20%	0.021	5.60
SDR3316DC - 1R5M	1.5	± 20%	0.022	5.20
SDR3316DC - 2R2M	2.2	± 20%	0.032	5.00
SDR3316DC - 3R3M	3.3	± 20%	0.039	3.90
SDR3316DC - 4R7M	4.7	± 20%	0.054	3.20
SDR3316DC - 6R8M	6.8	± 20%	0.075	2.80
SDR3316DC - 100M	10.0	± 20%	0.101	2.40
SDR3316DC - 150M	15.0	± 20%	0.150	2.00
SDR3316DC - 220M	22.0	± 20%	0.207	1.60
SDR3316DC - 330M	33.0	± 20%	0.334	1.40
SDR3316DC - 470M	47.0	± 20%	0.472	1.00

※ GENERAL SPECIFICATION:

- Inductance drop = 10% typ. at IDC.
- Operating Temp. : -40°C ~ + 85°C
- Test Freq. : 100KHz / 0.1V.