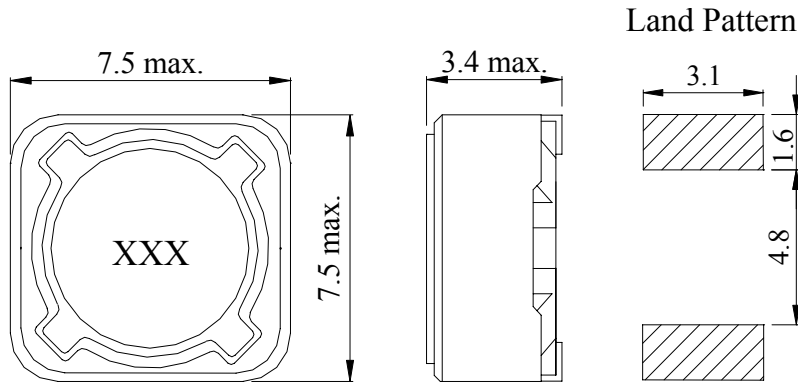


【SDRH73-SERIES】

DIMENSIONS & RECOMMENDED PATTERN



Unit: mm

※ FEATURES

- Applications : DC to DC converters for VTR, OA equipment, LCD television set, notebook, portable communication equipments

SELECTION GUIDE FOR STANDARD COILS

SDE Part Number	Inductance	Tolerance	DC Resistance	Inductance Decrease Current
	(μ H)	(%)	(Ω) Max	(A) Max
SDRH73 - 3R3M	3.3	$\pm 20\%$	0.030	4.20
SDRH73 - 3R5M	3.5	$\pm 20\%$	0.035	2.90
SDRH73 - 4R7M	4.7	$\pm 20\%$	0.050	2.60
SDRH73 - 6R8M	6.8	$\pm 20\%$	0.065	2.20
SDRH73 - 100M	10.0	$\pm 20\%$	0.072	1.68
SDRH73 - 120M	12.0	$\pm 20\%$	0.098	1.52
SDRH73 - 150M	15.0	$\pm 20\%$	0.130	1.33
SDRH73 - 180M	18.0	$\pm 20\%$	0.140	1.20
SDRH73 - 220M	22.0	$\pm 20\%$	0.190	1.07
SDRH73 - 270M	27.0	$\pm 20\%$	0.210	0.96
SDRH73 - 330M	33.0	$\pm 20\%$	0.240	0.91
SDRH73 - 390M	39.0	$\pm 20\%$	0.320	0.77
SDRH73 - 470M	47.0	$\pm 20\%$	0.360	0.76
SDRH73 - 560M	56.0	$\pm 20\%$	0.470	0.68
SDRH73 - 680M	68.0	$\pm 20\%$	0.520	0.61
SDRH73 - 820M	82.0	$\pm 20\%$	0.690	0.57
SDRH73 - 101M	100.0	$\pm 20\%$	0.790	0.50
SDRH73 - 121M	120.0	$\pm 20\%$	0.890	0.49

【SDRH73-SERIES】

SELECTION GUIDE FOR STANDARD COILS

SDE Part Number	Inductance	Tolerance	DC Resistance	Inductance Decrease Current
	(μ H)	(%)	(Ω) Max	(A) Max
SDRH73 - 151M	150.0	$\pm 20\%$	1.270	0.43
SDRH73 - 181M	180.0	$\pm 20\%$	1.450	0.39
SDRH73 - 221M	220.0	$\pm 20\%$	1.650	0.35
SDRH73 - 271M	270.0	$\pm 20\%$	2.310	0.32
SDRH73 - 331M	330.0	$\pm 20\%$	2.200	0.28
SDRH73 - 391M	390.0	$\pm 20\%$	2.940	0.26
SDRH73 - 471M	470.0	$\pm 20\%$	4.180	0.24
SDRH73 - 561M	560.0	$\pm 20\%$	4.670	0.22
SDRH73 - 681M	680.0	$\pm 20\%$	5.730	0.19
SDRH73 - 821M	820.0	$\pm 20\%$	6.540	0.18
SDRH73 - 102M	1000.0	$\pm 20\%$	9.440	0.16

※ GENERAL SPECIFICATION:

- a. Inductance drop =25% typ. at IDC.
- b. $\Delta T=40^{\circ}\text{C}$ rise at IDC.
- c. Operating Temperature : $-40^{\circ}\text{C} \sim +85^{\circ}\text{C}$
- d. Test Freq. : 1KHz / 1V.