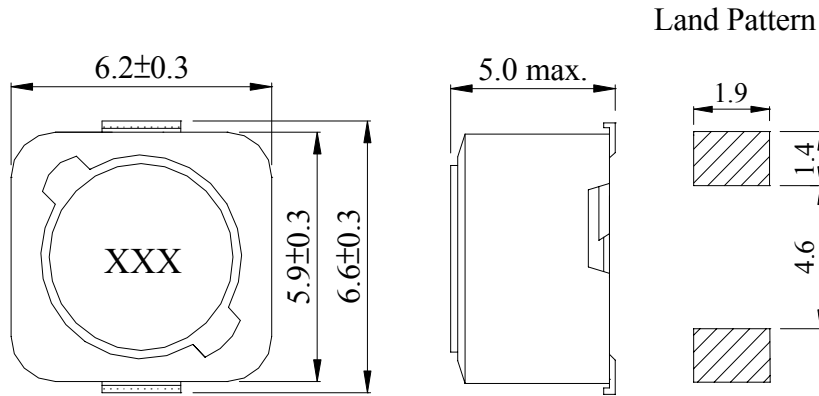


【SDRH64B-SERIES】

DIMENSIONS & RECOMMENDED PATTERN



Unit: mm

※ FEATURES

- Applications : DC to DC converters for VTR, OA equipment, LCD television set, notebook, portable communication equipments

SELECTION GUIDE FOR STANDARD COILS

SDE Part Number	Inductance	Tolerance	DC Resistance	Inductance Decrease Current
	(μH)	(%)	(Ω) Max	(A) Max
SDRH64B - 2R9N	2.9	$\pm 30\%$	0.047	1.80
SDRH64B - 3R3N	3.3	$\pm 30\%$	0.050	1.75
SDRH64B - 4R0N	4.0	$\pm 30\%$	0.060	1.65
SDRH64B - 4R7N	4.7	$\pm 30\%$	0.065	1.55
SDRH64B - 5R5N	5.5	$\pm 30\%$	0.070	1.45
SDRH64B - 100M	10.0	$\pm 20\%$	0.120	1.35
SDRH64B - 120M	12.0	$\pm 20\%$	0.130	1.22
SDRH64B - 150M	15.0	$\pm 20\%$	0.180	1.11
SDRH64B - 180M	18.0	$\pm 20\%$	0.240	1.02
SDRH64B - 220M	22.0	$\pm 20\%$	0.270	0.91
SDRH64B - 270M	27.0	$\pm 20\%$	0.300	0.82
SDRH64B - 330M	33.0	$\pm 20\%$	0.330	0.74
SDRH64B - 390M	39.0	$\pm 20\%$	0.370	0.69
SDRH64B - 470M	47.0	$\pm 20\%$	0.520	0.62
SDRH64B - 560M	56.0	$\pm 20\%$	0.560	0.58
SDRH64B - 680M	68.0	$\pm 20\%$	0.630	0.51
SDRH64B - 820M	82.0	$\pm 20\%$	0.710	0.46
SDRH64B - 101M	100.0	$\pm 20\%$	1.030	0.42

【SDRH64B-SERIES】

SELECTION GUIDE FOR STANDARD COILS

SDE Part Number	Inductance	Tolerance	DC Resistance	Inductance Decrease Current
	(μ H)	(%)	(Ω) Max	(A) Max
SDRH64B - 121M	120.0	$\pm 20\%$	1.150	0.38
SDRH64B - 151M	150.0	$\pm 20\%$	1.680	0.35
SDRH64B - 181M	180.0	$\pm 20\%$	1.870	0.32
SDRH64B - 221M	220.0	$\pm 20\%$	2.080	0.29
SDRH64B - 271M	270.0	$\pm 20\%$	2.370	0.26
SDRH64B - 331M	330.0	$\pm 20\%$	2.670	0.23
SDRH64B - 391M	390.0	$\pm 20\%$	2.940	0.22
SDRH64B - 471M	470.0	$\pm 20\%$	3.930	0.20
SDRH64B - 561M	560.0	$\pm 20\%$	5.430	0.18
SDRH64B - 681M	680.0	$\pm 20\%$	7.320	0.17
SDRH64B - 821M	820.0	$\pm 20\%$	8.240	0.15
SDRH64B - 102M	1000.0	$\pm 20\%$	9.260	0.14

※ GENERAL SPECIFICATION:

- a. Inductance drop =30% typ. at IDC.
- b. $\Delta T=40^{\circ}\text{C}$ rise at IDC.
- c. Operating Temperature : $-40^{\circ}\text{C} \sim +85^{\circ}\text{C}$
- d. Test Freq. : 1KHz / 0.25V.