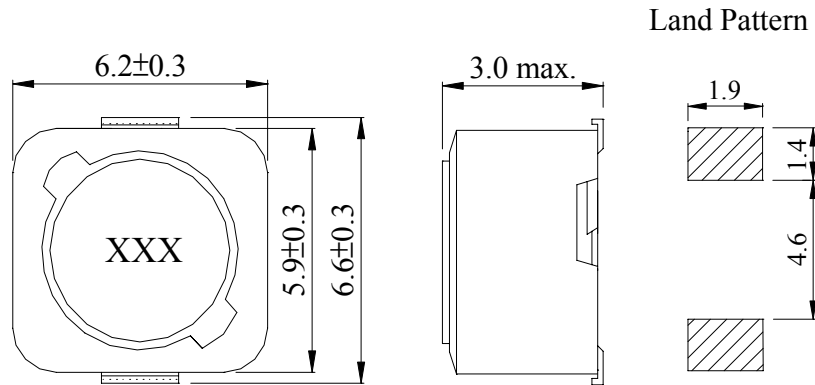


【SDRH62B-SERIES】

DIMENSIONS & RECOMMENDED PATTERN



Unit: mm

※ FEATURES

- Applications : DC to DC converters for VTR, OA equipment, LCD television set, notebook, portable communication equipments

SELECTION GUIDE FOR STANDARD COILS

SDE Part Number	Inductance	Tolerance	DC Resistance	Inductance Decrease Current
	(μ H)	(%)	(Ω) Max	(A) Max
SDRH62B - 2R9N	2.9	$\pm 30\%$	0.068	1.94
SDRH62B - 3R3N	3.3	$\pm 30\%$	0.075	1.80
SDRH62B - 4R0N	4.0	$\pm 30\%$	0.080	1.63
SDRH62B - 4R7N	4.7	$\pm 30\%$	0.090	1.55
SDRH62B - 5R5N	5.5	$\pm 30\%$	0.096	1.40
SDRH62B - 6R3N	6.3	$\pm 30\%$	0.100	1.30
SDRH62B - 7R1N	7.1	$\pm 30\%$	0.110	1.22
SDRH62B - 8R0N	8.0	$\pm 30\%$	0.120	1.15
SDRH62B - 100M	10.0	$\pm 20\%$	0.150	1.10
SDRH62B - 120M	12.0	$\pm 20\%$	0.200	1.00
SDRH62B - 150M	15.0	$\pm 20\%$	0.230	0.90
SDRH62B - 180M	18.0	$\pm 20\%$	0.270	0.80
SDRH62B - 220M	22.0	$\pm 20\%$	0.340	0.74
SDRH62B - 270M	27.0	$\pm 20\%$	0.380	0.66
SDRH62B - 330M	33.0	$\pm 20\%$	0.450	0.59
SDRH62B - 390M	39.0	$\pm 20\%$	0.490	0.54
SDRH62B - 470M	47.0	$\pm 20\%$	0.690	0.50
SDRH62B - 560M	56.0	$\pm 20\%$	0.780	0.46

【SDRH62B-SERIES】

SELECTION GUIDE FOR STANDARD COILS

SDE Part Number	Inductance	Tolerance	DC Resistance	Inductance Decrease Current
	(μ H)	(%)	(Ω) Max	(A) Max
SDRH62B - 680M	68.0	$\pm 20\%$	1.070	0.42
SDRH62B - 820M	82.0	$\pm 20\%$	1.210	0.38
SDRH62B - 101M	100.0	$\pm 20\%$	1.390	0.34
SDRH62B - 121M	120.0	$\pm 20\%$	1.900	0.31
SDRH62B - 151M	150.0	$\pm 20\%$	2.180	0.28
SDRH62B - 181M	180.0	$\pm 20\%$	2.770	0.26
SDRH62B - 221M	220.0	$\pm 20\%$	3.120	0.23
SDRH62B - 271M	270.0	$\pm 20\%$	4.380	0.22
SDRH62B - 331M	330.0	$\pm 20\%$	4.940	0.19

※ GENERAL SPECIFICATION:

- a. Inductance drop =25% typ. at IDC.
- b. $\Delta T=40^{\circ}\text{C}$ rise at IDC.
- c. Operating Temperature : $-40^{\circ}\text{C} \sim +85^{\circ}\text{C}$
- d. Test Freq. : 1KHz / 0.25V.