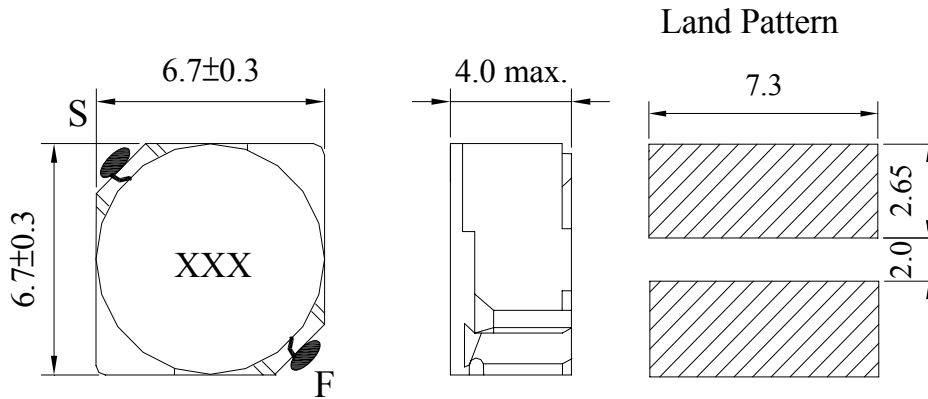


# 【SDRH6D38-SERIES】

## DIMENSIONS & RECOMMENDED PATTERN



Unit: mm

### ※ FEATURES

- Applications : DC to DC converter of portable equipment, camcorder, LCD television set, digital camera, P.D.A.,

## SELECTION GUIDE FOR STANDARD COILS

SDE Part Number	Inductance	Tolerance	DC Resistance	Inductance Decrease Current
	( $\mu\text{H}$ )	(%)	( $\Omega$ ) Max	(A) Max
SDRH6D38 - 3R3N	3.3	$\pm 30\%$	0.020	3.50
SDRH6D38 - 5R0N	5.0	$\pm 30\%$	0.024	2.90
SDRH6D38 - 6R2N	6.2	$\pm 30\%$	0.027	2.50
SDRH6D38 - 7R4N	7.4	$\pm 30\%$	0.031	2.30
SDRH6D38 - 8R7N	8.7	$\pm 30\%$	0.034	2.20
SDRH6D38 - 100N	10.0	$\pm 30\%$	0.038	2.00
SDRH6D38 - 120N	12.0	$\pm 30\%$	0.053	1.70
SDRH6D38 - 150N	15.0	$\pm 30\%$	0.057	1.60
SDRH6D38 - 180N	18.0	$\pm 30\%$	0.092	1.50
SDRH6D38 - 220N	22.0	$\pm 30\%$	0.096	1.30
SDRH6D38 - 270N	27.0	$\pm 30\%$	0.109	1.20
SDRH6D38 - 330N	33.0	$\pm 30\%$	0.124	1.10
SDRH6D38 - 390N	39.0	$\pm 30\%$	0.138	1.00
SDRH6D38 - 470N	47.0	$\pm 30\%$	0.155	0.95
SDRH6D38 - 560N	56.0	$\pm 30\%$	0.202	0.85
SDRH6D38 - 680N	68.0	$\pm 30\%$	0.234	0.75
SDRH6D38 - 820N	82.0	$\pm 30\%$	0.324	0.70
SDRH6D38 - 101N	100.0	$\pm 30\%$	0.358	0.65

### ※ GENERAL SPECIFICATION:

- Inductance drop =35% typ. at IDC.
- $\Delta T=30^\circ\text{C}$  rise at IDC.
- Operating Temperature :  $-40^\circ\text{C} \sim +85^\circ\text{C}$
- Test Freq. : 10KHz / 0.1V.