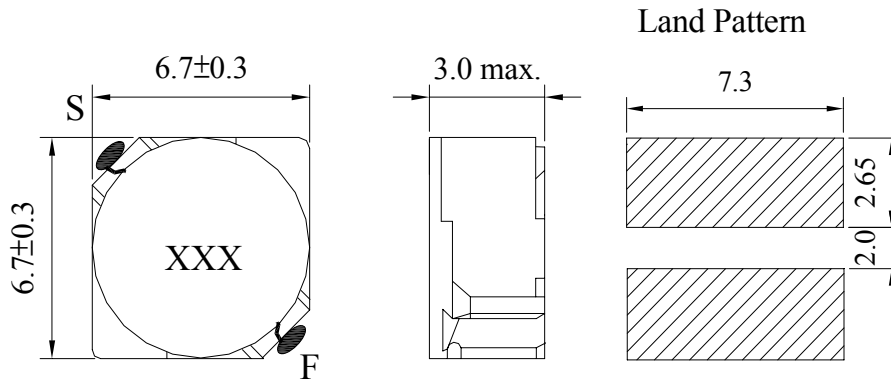


# 【SDRH6D28-SERIES】

## DIMENSIONS & RECOMMENDED PATTERN



Unit: mm

### ※ FEATURES

- Applications : DC to DC converter of portable equipment, camcorder, LCD television set, digital camera, P.D.A.,

## SELECTION GUIDE FOR STANDARD COILS

SDE Part Number	Inductance	Tolerance	DC Resistance	Inductance Decrease Current
	( $\mu\text{H}$ )	(%)	( $\Omega$ ) Max	(A) Max
SDRH6D28 - 3R0N	3.0	$\pm 30\%$	0.024	3.00
SDRH6D28 - 3R3N	3.3	$\pm 30\%$	0.027	2.90
SDRH6D28 - 3R9N	3.9	$\pm 30\%$	0.027	2.60
SDRH6D28 - 4R7N	4.7	$\pm 30\%$	0.031	2.50
SDRH6D28 - 5R0N	5.0	$\pm 30\%$	0.031	2.40
SDRH6D28 - 6R0N	6.0	$\pm 30\%$	0.035	2.25
SDRH6D28 - 7R3N	7.3	$\pm 30\%$	0.054	2.10
SDRH6D28 - 8R6N	8.6	$\pm 30\%$	0.058	1.85
SDRH6D28 - 100M	10.0	$\pm 20\%$	0.065	1.70
SDRH6D28 - 120M	12.0	$\pm 20\%$	0.070	1.55
SDRH6D28 - 150M	15.0	$\pm 20\%$	0.084	1.40
SDRH6D28 - 180M	18.0	$\pm 20\%$	0.095	1.32
SDRH6D28 - 220M	22.0	$\pm 20\%$	0.128	1.20
SDRH6D28 - 270M	27.0	$\pm 20\%$	0.142	1.05
SDRH6D28 - 330M	33.0	$\pm 20\%$	0.165	0.97
SDRH6D28 - 390M	39.0	$\pm 20\%$	0.210	0.86
SDRH6D28 - 470M	47.0	$\pm 20\%$	0.238	0.80
SDRH6D28 - 560M	56.0	$\pm 20\%$	0.277	0.73

# 【SDRH6D28-SERIES】

## SELECTION GUIDE FOR STANDARD COILS

SDE Part Number	Inductance	Tolerance	DC Resistance	Inductance Decrease Current
	( $\mu$ H)	(%)	( $\Omega$ ) Max	(A) Max
SDRH6D28 - 680M	68.0	$\pm 20\%$	0.304	0.65
SDRH6D28 - 820M	82.0	$\pm 20\%$	0.390	0.60
SDRH6D28 - 101M	100.0	$\pm 20\%$	0.535	0.54

※ GENERAL SPECIFICATION:

- a. Inductance drop =35% typ. at IDC.
- b.  $\Delta T=30^{\circ}\text{C}$  rise at IDC.
- c. Operating Temperature :  $-40^{\circ}\text{C} \sim +85^{\circ}\text{C}$
- d. Test Freq. : 10KHz / 0.1V.