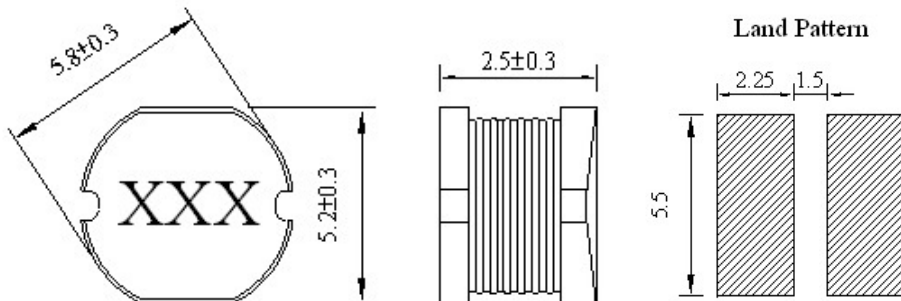


# 【SD5825D1M-SERIES】

## DIMENSIONS & RECOMMENDED PATTERN



Unit: mm

### ※ FEATURES

- Applications : DC to DC converters for VTR, OA equipment, LCD television set, notebook, portable communication equipment

## SELECTION GUIDE FOR STANDARD COILS

SDE Part Number	Inductance	Tolerance	DC Resistance	Inductance Decrease Current
	( $\mu$ H)	(%)	( $\Omega$ ) Max	(A) Max
SD5825D1M - 1R2M	1.2	$\pm 20\%$	0.050	4.20
SD5825D1M - 1R5M	1.5	$\pm 20\%$	0.060	4.00
SD5825D1M - 1R8M	1.8	$\pm 20\%$	0.065	3.70
SD5825D1M - 2R2M	2.2	$\pm 20\%$	0.070	3.50
SD5825D1M - 2R7M	2.7	$\pm 20\%$	0.080	3.20
SD5825D1M - 3R3M	3.3	$\pm 20\%$	0.100	2.70
SD5825D1M - 3R9M	3.9	$\pm 20\%$	0.120	2.40
SD5825D1M - 4R7M	4.7	$\pm 20\%$	0.140	2.00
SD5825D1M - 5R6M	5.6	$\pm 20\%$	0.150	1.80
SD5825D1M - 6R8M	6.8	$\pm 20\%$	0.160	1.50
SD5825D1M - 8R2M	8.2	$\pm 20\%$	0.170	1.40
SD5825D1M - 100M	10.0	$\pm 20\%$	0.200	1.30
SD5825D1M - 120M	12.0	$\pm 20\%$	0.230	1.10
SD5825D1M - 150M	15.0	$\pm 20\%$	0.250	1.05
SD5825D1M - 180M	18.0	$\pm 20\%$	0.300	1.00
SD5825D1M - 220M	22.0	$\pm 20\%$	0.350	0.90
SD5825D1M - 270M	27.0	$\pm 20\%$	0.400	0.85
SD5825D1M - 330M	33.0	$\pm 20\%$	0.500	0.75
SD5825D1M - 390M	39.0	$\pm 20\%$	0.550	0.70
SD5825D1M - 470M	47.0	$\pm 20\%$	0.650	0.60
SD5825D1M - 560M	56.0	$\pm 20\%$	0.750	0.55

# 【SD5825D1M-SERIES】

## SELECTION GUIDE FOR STANDARD COILS

SDE Part Number	Inductance	Tolerance	DC Resistance	Inductance Decrease Current
	( $\mu$ H)	(%)	( $\Omega$ ) Max	(A) Max
SD5825D1M - 680M	68.0	$\pm 20\%$	0.950	0.50
SD5825D1M - 820M	82.0	$\pm 20\%$	1.200	0.45
SD5825D1M - 101M	100.0	$\pm 20\%$	1.400	0.40
SD5825D1M - 121M	120.0	$\pm 20\%$	1.750	0.35
SD5825D1M - 151M	150.0	$\pm 20\%$	2.000	0.25
SD5825D1M - 181M	180.0	$\pm 20\%$	2.600	0.22
SD5825D1M - 221M	220.0	$\pm 20\%$	3.000	0.20
SD5825D1M - 271M	270.0	$\pm 20\%$	3.700	0.18
SD5825D1M - 331M	330.0	$\pm 20\%$	4.300	0.17
SD5825D1M - 391M	390.0	$\pm 20\%$	6.000	0.16
SD5825D1M - 471M	470.0	$\pm 20\%$	6.700	0.15

※ Marking : Inductance Code

※ GENERAL SPECIFICATION:

- a. Inductance drop =10% typ. at IDC.
- b. Operating Temp. :  $-40^{\circ}\text{C} \sim +85^{\circ}\text{C}$
- c. Test Freq. :  $1.2\mu\text{H} \sim 8.2\mu\text{H} - 7.96\text{MHz}$ ;  $10\mu\text{H} \sim 82\mu\text{H} - 2.52\text{MHz}$ ;  $100\mu\text{H} \sim 470\mu\text{H} - 1\text{KHz}$ .