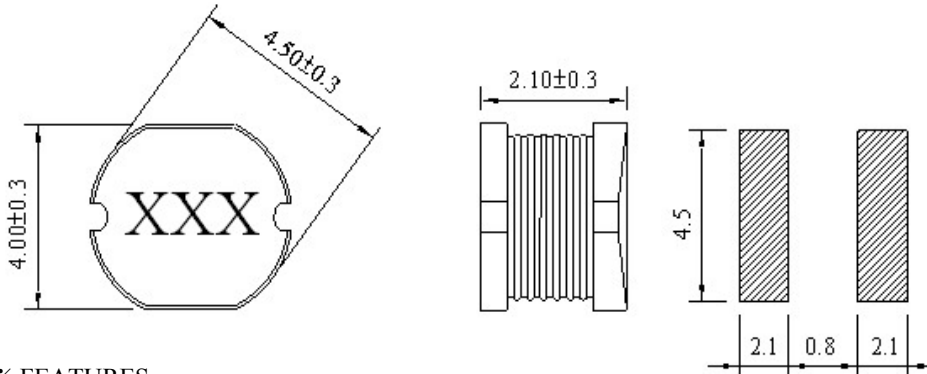


【SD4521D1M-SERIES】

DIMENSIONS & RECOMMENDED PATTERN



Unit: mm

※ FEATURES

- Applications : DC to DC converters for VTR, OA equipment, LCD television set, notebook, portable communication equipment

SELECTION GUIDE FOR STANDARD COILS

SDE Part Number	Inductance	Tolerance	DC Resistance	Inductance Decrease Current
	(μ H)	(%)	(Ω) Max	(A) Max
SD4521D1M - 1R0M	1.0	$\pm 20\%$	0.043	2.70
SD4521D1M - 1R4M	1.4	$\pm 20\%$	0.048	2.55
SD4521D1M - 1R8M	1.8	$\pm 20\%$	0.052	2.20
SD4521D1M - 2R2M	2.2	$\pm 20\%$	0.058	2.00
SD4521D1M - 2R7M	2.7	$\pm 20\%$	0.065	1.80
SD4521D1M - 3R3M	3.3	$\pm 20\%$	0.080	1.60
SD4521D1M - 3R9M	3.9	$\pm 20\%$	0.089	1.45
SD4521D1M - 4R7M	4.7	$\pm 20\%$	0.109	1.35
SD4521D1M - 5R6M	5.6	$\pm 20\%$	0.137	1.22
SD4521D1M - 6R8M	6.8	$\pm 20\%$	0.159	1.10
SD4521D1M - 8R2M	8.2	$\pm 20\%$	0.197	1.05
SD4521D1M - 100M	10.0	$\pm 20\%$	0.216	0.95
SD4521D1M - 120M	12.0	$\pm 20\%$	0.256	0.85
SD4521D1M - 150M	15.0	$\pm 20\%$	0.320	0.78
SD4521D1M - 180M	18.0	$\pm 20\%$	0.395	0.73
SD4521D1M - 220M	22.0	$\pm 20\%$	0.459	0.67
SD4521D1M - 270M	27.0	$\pm 20\%$	0.627	0.60
SD4521D1M - 330M	33.0	$\pm 20\%$	0.650	0.55
SD4521D1M - 390M	39.0	$\pm 20\%$	0.740	0.51
SD4521D1M - 470M	47.0	$\pm 20\%$	0.850	0.48
SD4521D1M - 560M	56.0	$\pm 20\%$	1.109	0.44

【SD4521D1M-SERIES】**SELECTION GUIDE FOR STANDARD COILS**

SDE Part Number	Inductance	Tolerance	DC Resistance	Inductance Decrease Current
	(μ H)	(%)	(Ω) Max	(A) Max
SD4521D1M - 680M	68.0	$\pm 20\%$	1.290	0.39
SD4521D1M - 820M	82.0	$\pm 20\%$	1.705	0.36

※ Marking : Inductance Code

※ GENERAL SPECIFICATION:

- a. Inductance drop $\leq 10\%$ typ. at IDC.
- b. $\Delta T = 40^\circ\text{C}$ rise at IDC. (at 25°C)
- c. Operating Temp. : $-40^\circ\text{C} \sim +85^\circ\text{C}$
- d. Resistance to solder heat : $260^\circ\text{C} \cdot 10 \text{ SEC.}$
- e. Test Freq. : $1.0\mu\text{H} \sim 8.2\mu\text{H} \sim 7.96\text{MHz}$; $10\mu\text{H} \sim 82\mu\text{H} \sim 2.52\text{MHz}$