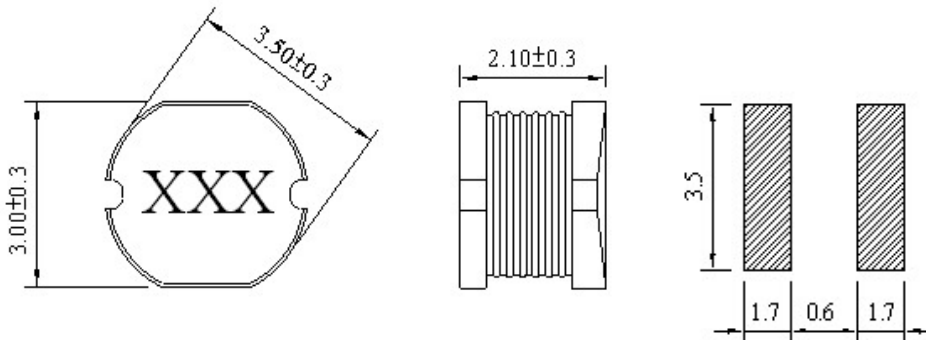


# 【SD3521D1M-SERIES】

## DIMENSIONS & RECOMMENDED PATTERN


**Unit: mm**
**※ FEATURES**

- Applications : DC to DC converters for VTR, OA equipment, LCD television set, notebook, portable communication equipment

## SELECTION GUIDE FOR STANDARD COILS

SDE Part Number	Inductance	Tolerance	DC Resistance	Inductance Decrease Current
	( $\mu\text{H}$ )	(%)	( $\Omega$ ) Max	(A) Max
SD3521D1M - 100M	10.0	$\pm 20\%$	0.23	0.760
SD3521D1M - 120M	12.0	$\pm 20\%$	0.27	0.685
SD3521D1M - 150M	15.0	$\pm 20\%$	0.31	0.635
SD3521D1M - 180M	18.0	$\pm 20\%$	0.41	0.525
SD3521D1M - 220M	22.0	$\pm 20\%$	0.47	0.500
SD3521D1M - 270M	27.0	$\pm 20\%$	0.66	0.405
SD3521D1M - 330M	33.0	$\pm 20\%$	0.76	0.380
SD3521D1M - 390M	39.0	$\pm 20\%$	0.85	0.355
SD3521D1M - 470M	47.0	$\pm 20\%$	0.97	0.330
SD3521D1M - 560M	56.0	$\pm 20\%$	1.25	0.290
SD3521D1M - 680M	68.0	$\pm 20\%$	1.45	0.275
SD3521D1M - 820M	82.0	$\pm 20\%$	1.85	0.235
SD3521D1M - 101M	100.0	$\pm 20\%$	2.20	0.220
SD3521D1M - 121M	120.0	$\pm 20\%$	2.90	0.185
SD3521D1M - 151M	150.0	$\pm 20\%$	3.40	0.170
SD3521D1M - 181M	180.0	$\pm 20\%$	3.90	0.165
SD3521D1M - 221M	220.0	$\pm 20\%$	4.50	0.155
SD3521D1M - 271M	270.0	$\pm 20\%$	6.00	0.135
SD3521D1M - 331M	330.0	$\pm 20\%$	7.00	0.125
SD3521D1M - 391M	390.0	$\pm 20\%$	7.80	0.115

**※ Marking** : Inductance Code

**※ GENERAL SPECIFICATION:**

- Inductance drop  $\leq 10\%$  typ. at IDC.
- $\Delta T = 40^\circ\text{C}$  rise at IDC. (at  $25^\circ\text{C}$ )
- Operating Temp. :  $-40^\circ\text{C} \sim +85^\circ\text{C}$

- Resistance to solder heat :  $260^\circ\text{C} \cdot 10 \text{ SEC.}$
- Test Freq. :  $10\mu\text{H} \sim 82\mu\text{H} \sim 2.52\text{MHz}$ ;  $100\mu\text{H} \sim 390\mu\text{H} \sim 1\text{KHz.}$